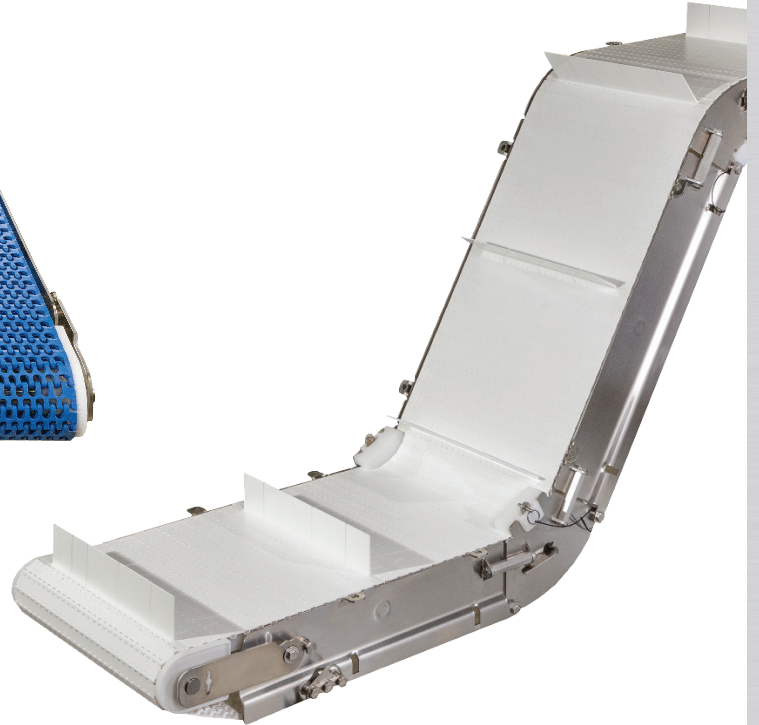
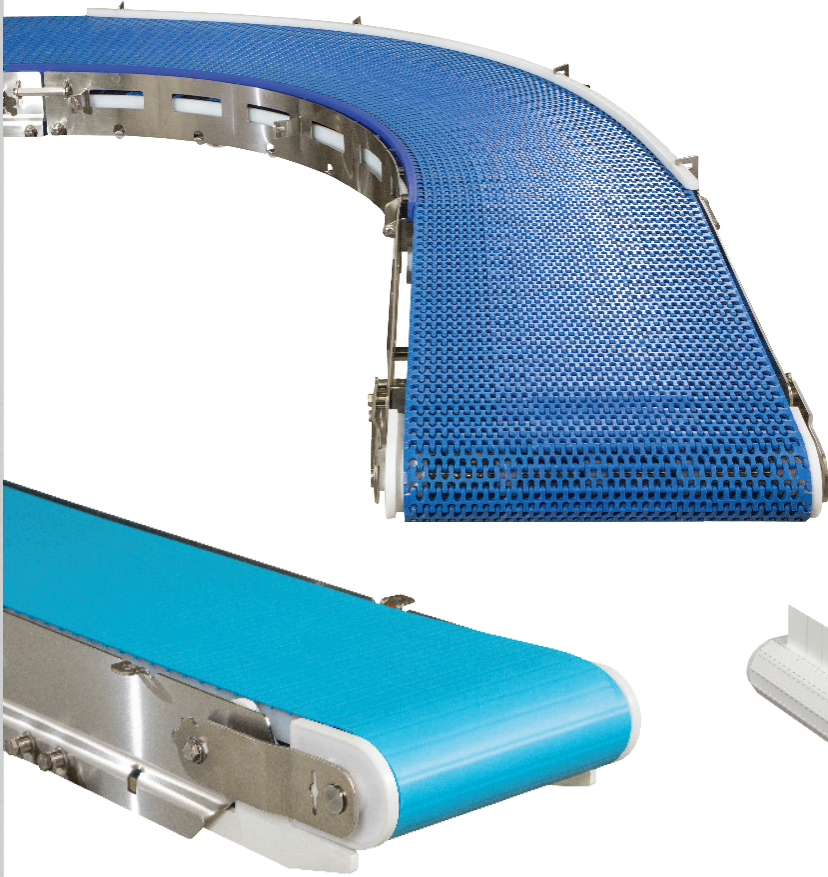


Industry Leading  
Hygienic Designs

Fast, Simple to Use  
Online Configurator

Rapid Deliveries

3A  
Certified Conveyors



*Aqua***Pruf**<sup>®</sup>

**CONVEYORS**

Improving Food Safety with  
Hygienically Engineered Stainless Steel Conveyors

**DORNER**<sup>®</sup> 

## Dorner AquaGard Conveyors are Best for:

- Ready to Eat Foods
- Meat
- Poultry
- Dairy
- Packaged Foods
- Elevation Changes
- Wet Environments
- High Pressure Washdowns
- And More!

## Sizes & Measurements

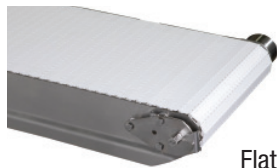
- 152 - 1524 mm (6 - 60 in) widths
- 914 - 25375 mm (36 - 999 in) lengths

## Modular Belt Options

- Flat Modular Belt
- Friction Top
- Cleated
- Curve



Patented Sprocket Alignment Key



Flat Modular Belt

## Loads & Speeds

- 98 kg per square meter (20 lbs per square foot)
- Speeds up to 100 mpm (328 fpm)

## Belt Options

V-Guided and Positive Drive Belt Options

- Flat Belt
- Cleated
- Sidewall Cleated



Positive Drive

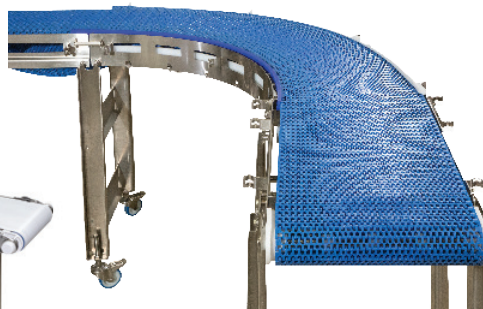


Flat Belt

## Configurations



Straights

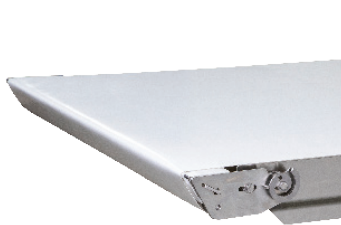


Curves



LPZ (Z-Frames), Nose-Over & Horizontal to Inclines

## Options



Nose Bar Transfers



Belt Lifters & Frame Cut-Outs



Belt Scrapers

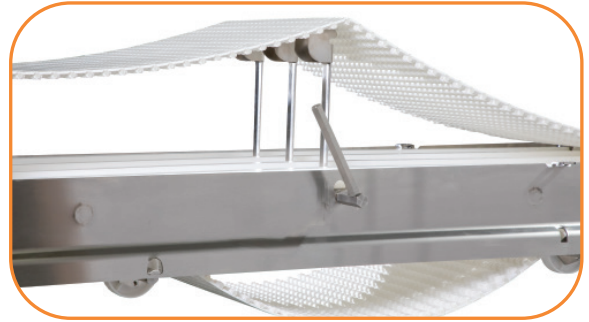


iDrive2 Gearless, Oil-free Motorized Roller

Other options available including Chutes, Drip Pans, Guiding, Hoppers and more.

## Hygienic Design

- Tool-less disassembly. Cleaning prep in under a minute, complete disassembly in less than 3 minutes
- Optional frame cut-outs and belt lifters for continuous access to inside of the conveyor
- Tip-up tails allow for quick release of belt tension
- Continuous TIG-welded 304 stainless steel frame
- Spiral cam belt tensioning with patent pending threadless design
- Patented sprocket alignment key
- Gearless, oil-free iDrive2 sanitary motorized roller



## AquaPruf Ultimate

- Highest level of sanitation
- USDA red meat, poultry and dairy applications
- 3A certification pending
- USDA and FDA approved belting and plastic components
- Meets 3A, NSF and AMI design specifications
- #4 polish on all internal surfaces
- Patent pending drive sprocket wash-out channel
- Patent pending idler puck cleaning system



## Engineered Solutions

- Dorner's Engineered Solutions Group can tailor fit AquaPruf Conveyors for specific applications and product handling requirements.
- With a custom-designed conveyor system in place, your products are processed faster, your services are delivered quicker, and your profits are increased with the help of highly specialized engineering.
- Solutions include:
  - Routing/Diverting/Laning/Merging
  - Singulating/Rotating
  - Accumulation/Buffering
  - Pacing/Gapping
  - Traffic Control/Flow
  - Orientating/Positioning
  - And More!



## The Benefits of Dorner AquaPruf Conveyors

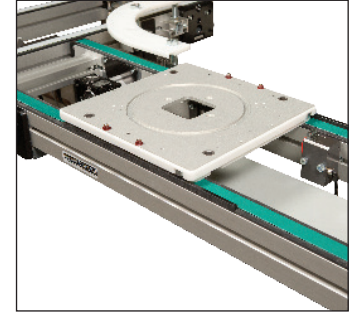
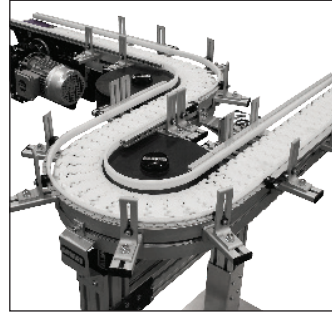
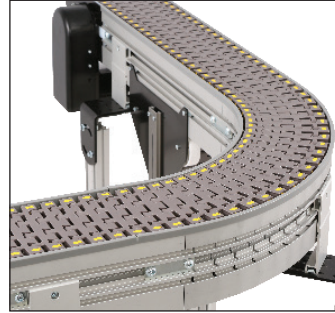
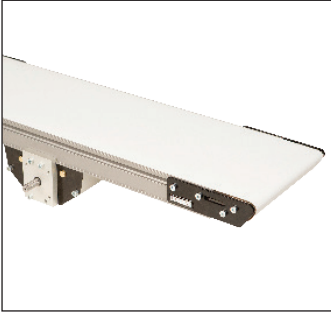
### Industry Ready

- Designed and manufactured to food equipment standards
- 3A certification pending
- FDA approved materials and components

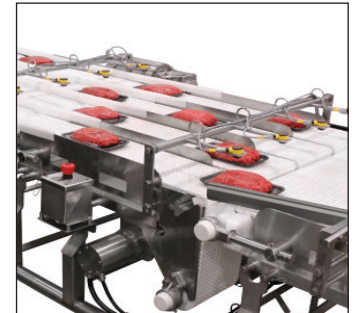
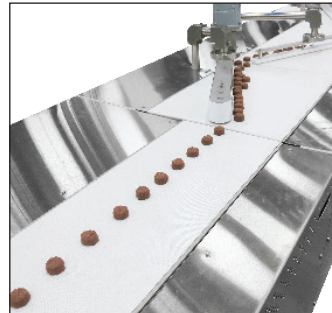
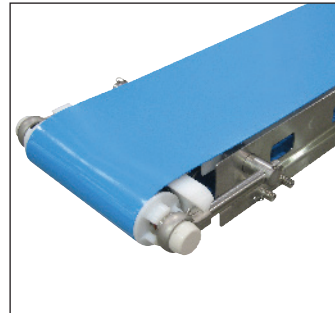
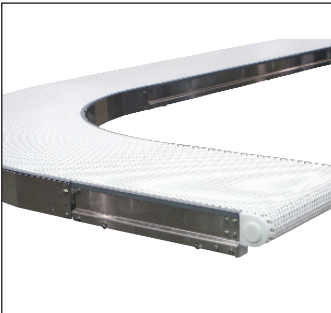
### Delivers Fast

- Dorner sets the industry standard for rapid delivery
- Sanitary conveyors ship in as little as 10 business days
- Industry leading cleaning preparation time

## Industrial & Automation Conveyors



## Sanitary Conveyors



## Engineered Solutions



Parts

Service

Online Configurator

Warranty

## Transforming Conveyor Automation

### Dorner – North & South America

**Dorner – U.S.A. Headquarters**  
975 Cottonwood Ave  
Hartland, WI 53029, USA  
(800) 397-8664  
(262) 367-7600  
info@dorner.com

**Dorner – Canada**  
100-5515 North Service Road  
Burlington, Ontario L7L 6G6  
Canada  
(289) 208-7306  
info@dorner.com

**Dorner – Latin America**  
Carretera a Nogales #5297,  
Nave 11. Parque Industrial Nogales  
Zapopan, Jalisco C.P. 45222  
Mexico  
+52.33.30037400  
info.latinamerica@dorner.com



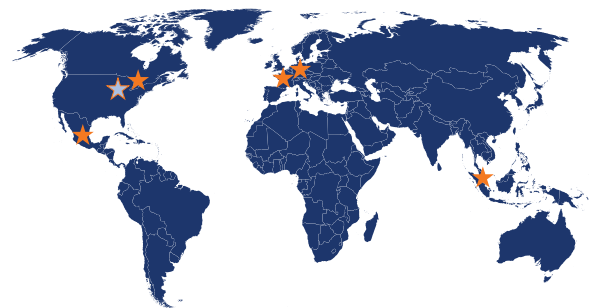
### Dorner – Europe

**Dorner – Germany**  
Karl-Heinz-Beckurts-Straße 7  
52428 Jülich,  
Germany  
+49 (0) 2461/93767-0  
info.europe@dorner.com

**Dorner – France**  
8-10 Rue de Nieuport  
78140 Vélizy-Villacoublay,  
France  
+33 (0)1 84 73 24 27  
info.france@dorner.com

### Dorner – Asia

128 Jalan Permatang Damar Laut, Bayan Lepas 11960  
Penang, Malaysia  
+604-626-2948 | info.asia@dorner.com



[www.dornerconveyors.com](http://www.dornerconveyors.com)